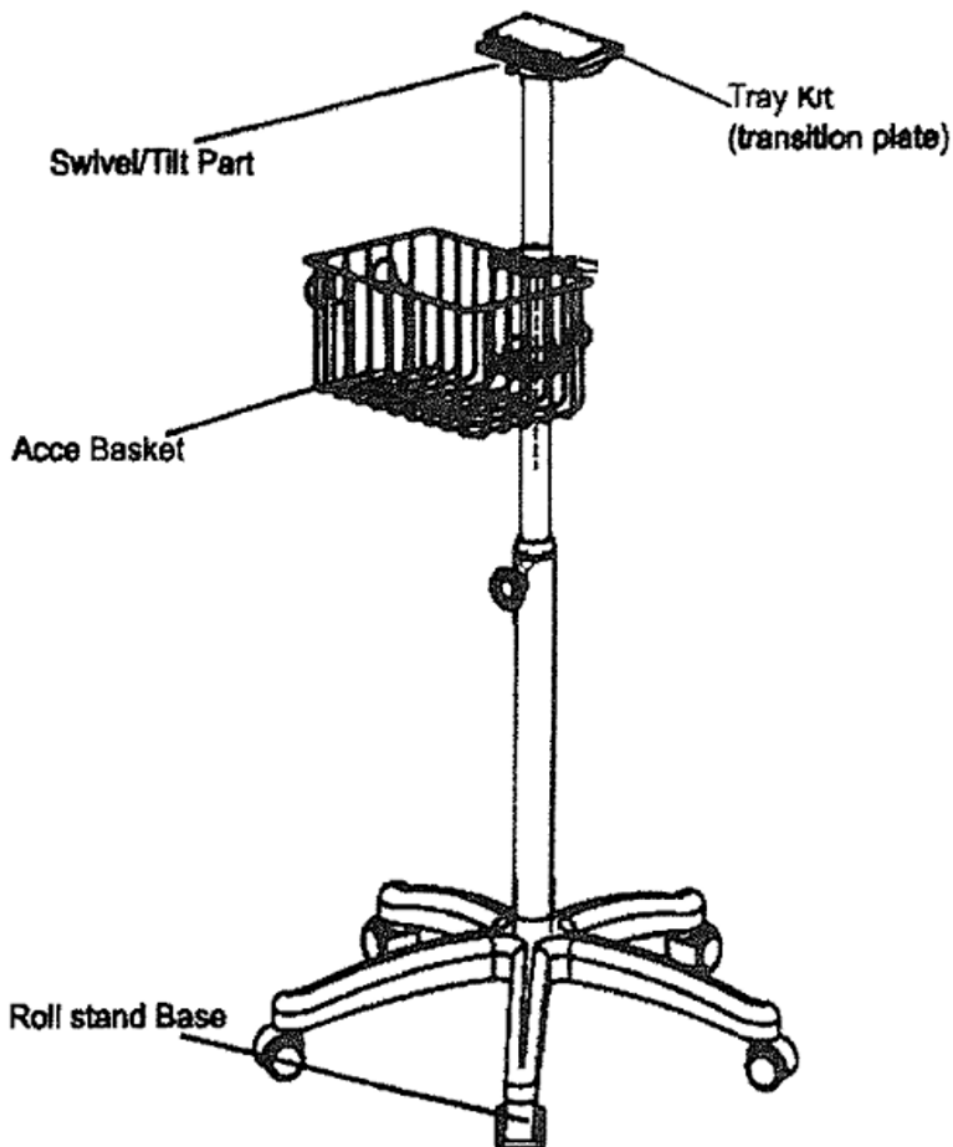




# VetFlo Heavy Duty Rolling Stand

The VetFlo Heavy Duty Rolling Stand is compatible with the Kent Scientific VetFlo Anesthesia System and can be used with many other free-standing anesthesia systems.

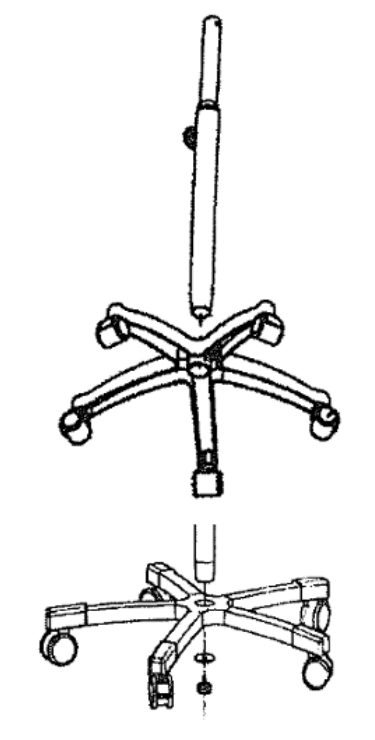
This product is not designed, intended or authorized for use in human applications.



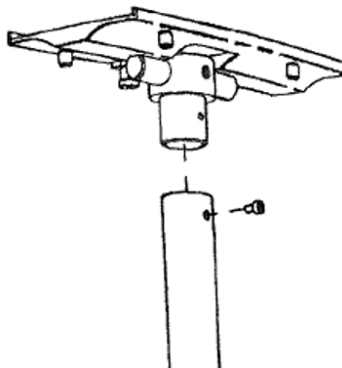


## Assembly Instructions

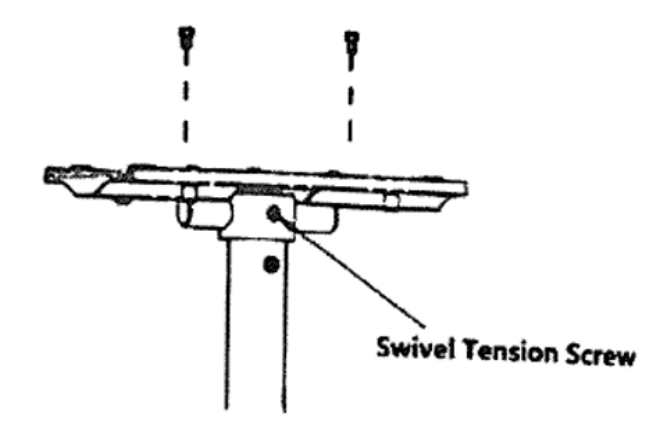
- 1) Insert the Roll Stand Post into the Base. Use the included Screw Pad and Hand Screw hardware to secure.



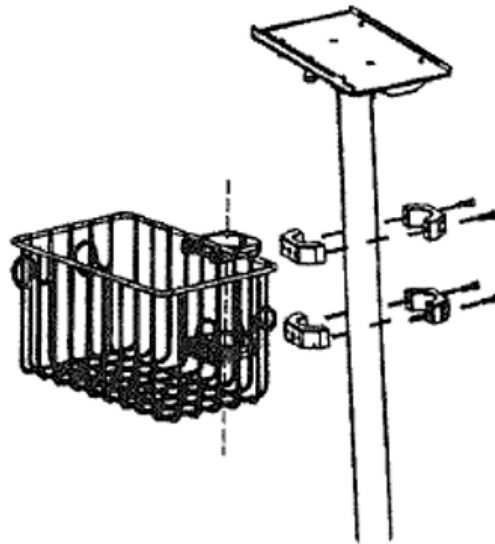
- 2) Attach the tray kit to the top of the pole using the included Hex Head Cap Screw hardware.



- 3) Use the included Hex Head Cap Screws to attach the mounting plate to the swivel/tilt head. Adjust the socket head screw to adjust the tilt tension.



- 4) Install the accessory basket onto the length of the pole.



- 5) Attach the gas tank holders to the lower portion of the pole using the included hardware.  
Note: The holders can be placed at different heights to accommodate standard D and E gas tanks.
- 6) Attach the Anesthesia Stand by sliding the tray kit onto the transition plate. Lock into place using the locking pin.

Note: The tray kit is pre-installed onto the bottom of the VetFlo Anesthesia System, or it can be installed onto many other tabletop anesthesia stands using the included hardware.